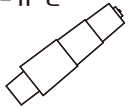


# ASSEMBLY INSTRUCTIONS



## Office Boffins

A-1PC



B-5PCS

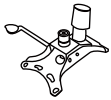


C-4PCS  
22mm



PRE-INSERTED

D-1PC



E-8PCS  
18mm



PRE-INSERTED

F-8PCS



G-1PC

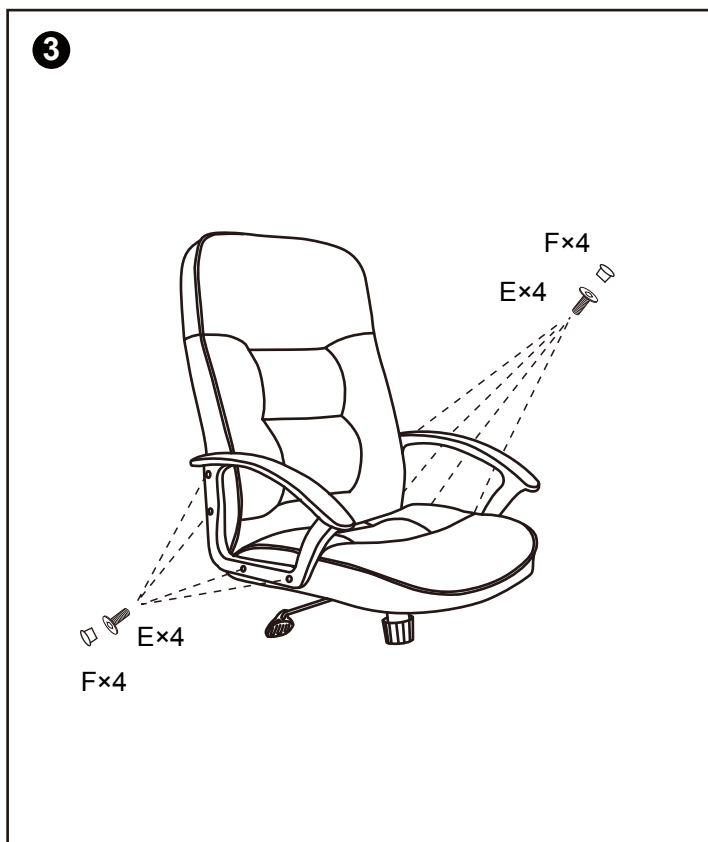
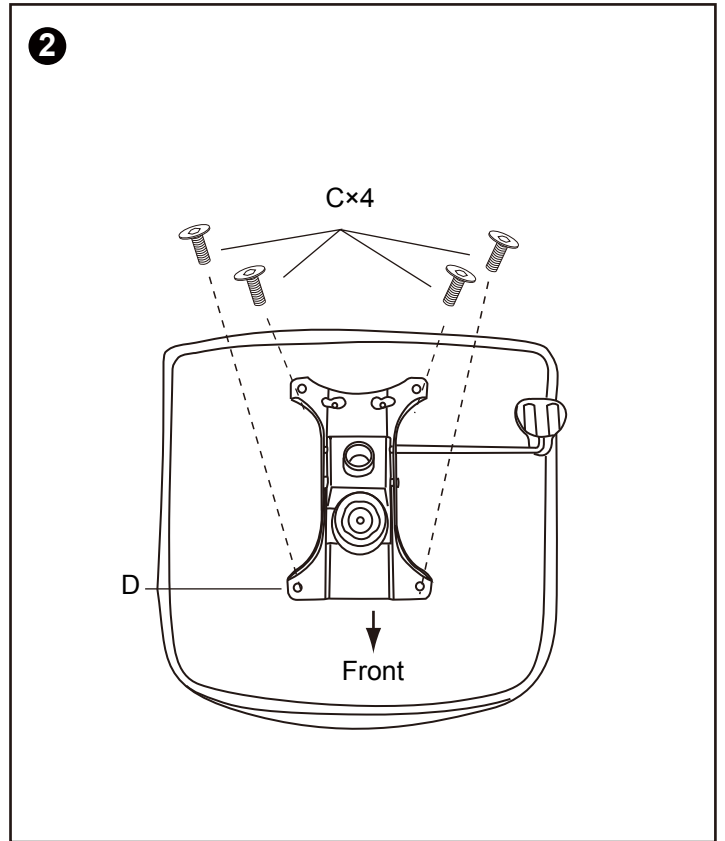
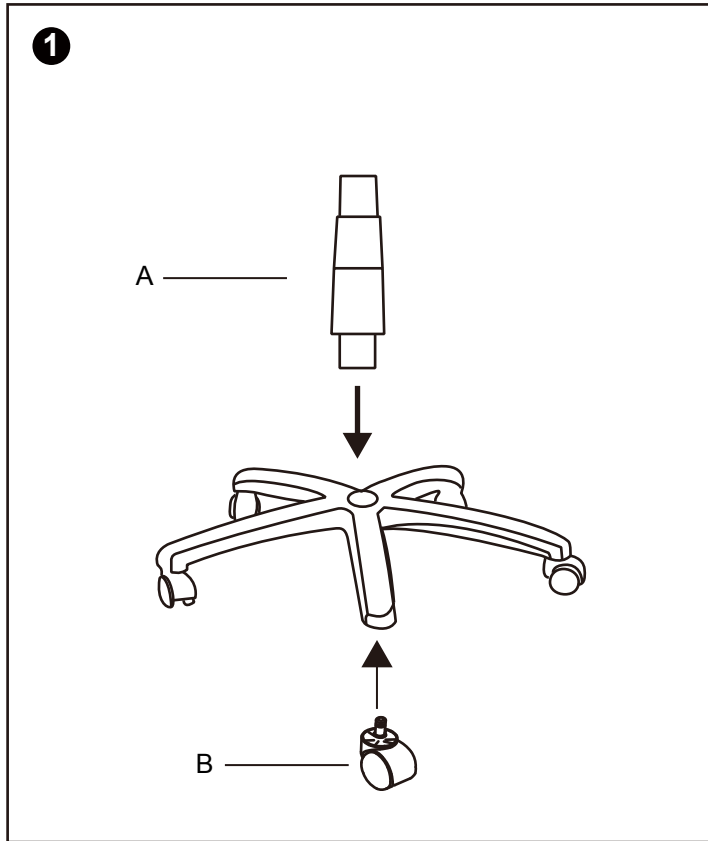


## PARF001

### PLEASE NOTE:

The screws are pre-inserted into their correct holes to prevent them from being lost in transit. Please remove them before assembly using the allen key provided.

**Do not tighten bolts fully until you have completed assembly.  
DO NOT USE A POWER DRILL TO TIGHTEN THE SCREWS.  
TIGHTEN BY HAND WITH THE ALLEN KEY PROVIDED.**



### WARNING

- DO NOT STAND ON THIS CHAIR.
- DO NOT USE THIS CHAIR AS A STEP LADDER.
- USE THIS PRODUCT FOR SEATING ONE PERSON AT A TIME ONLY.
- DO NOT USE THIS CHAIR UNLESS ALL BOLTS, SCREWS AND KNOBS ARE FIRMLY SECURED.
- AT LEAST EVERY 6 MONTHS, CHECK ALL BOLTS, SCREWS AND KNOBS TO BE SURE THEY ARE TIGHT.
- IF PARTS ARE MISSING, BROKEN, DAMAGED OR WORN, STOP USING THIS PRODUCT UNTIL REPAIRS ARE MADE USING FACTORY AUTHORISED PARTS.
- FAILURE TO FOLLOW THESE WARNINGS COULD RESULT IN SERIOUS INJURY.