

ASSEMBLY INSTRUCTIONS



Office Boffins

A-1PC



B-1PC

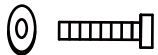


C-8PCS
(25mm)



PRE-INSERTED

D-1PC
(55mm)

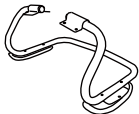


E-4PCS
(30mm)



PRE-INSERTED

F-1PC



G-1PC



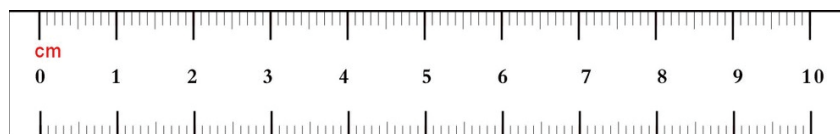
H-1PC



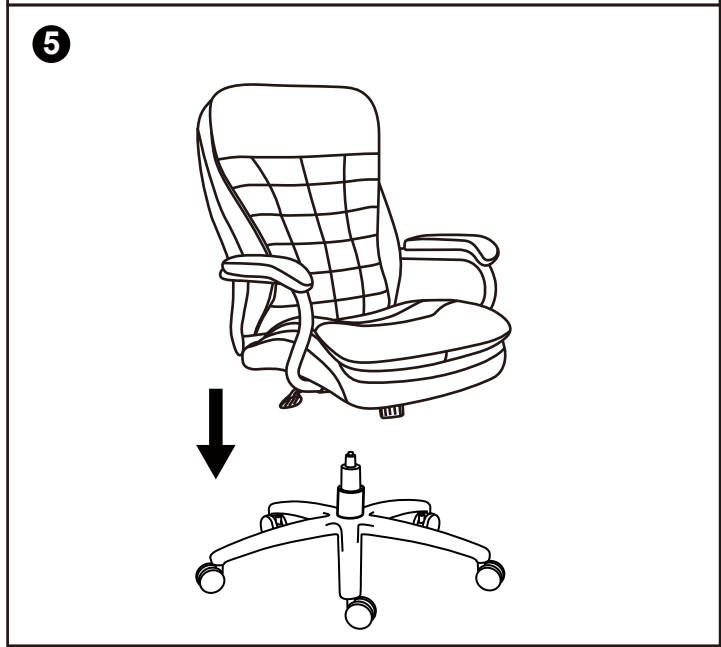
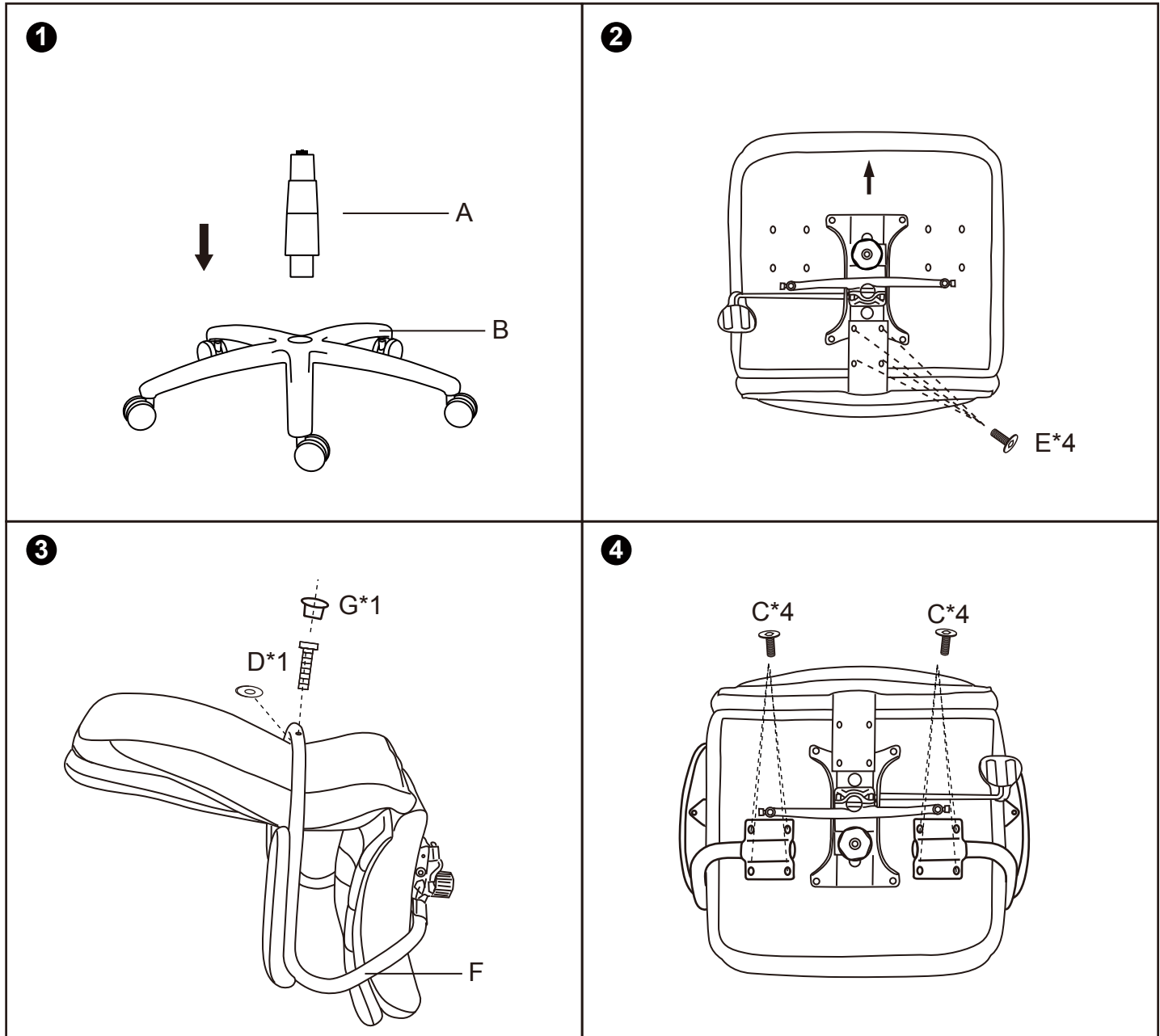
DELTL001

PLEASE NOTE:

The screws "C" and "E" are pre-inserted into their correct holes to prevent them from being lost in transit. Please remove them before assembly using the allen key provided.

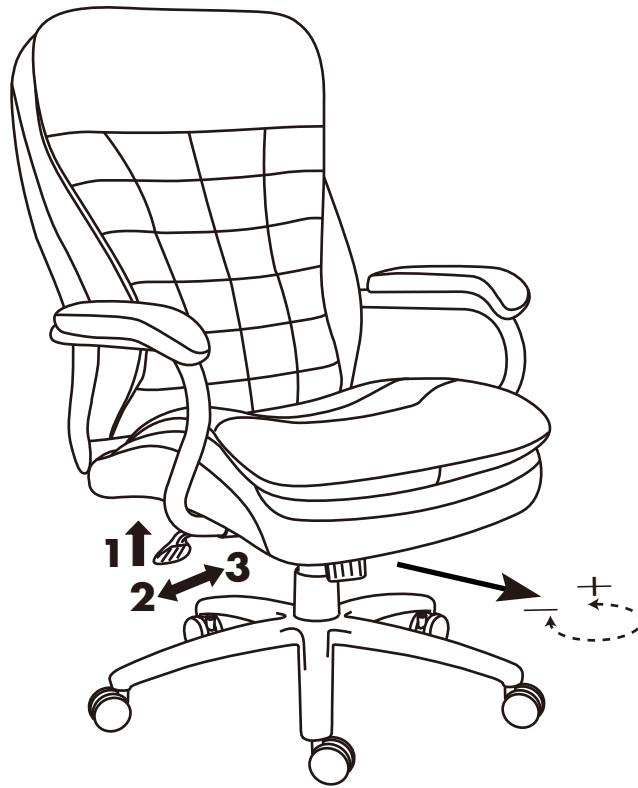


**Do not tighten bolts fully until you have completed assembly.
DO NOT USE A POWER DRILL TO TIGHTEN THE SCREWS.
TIGHTEN BY HAND WITH THE ALLEN KEY PROVIDED.**

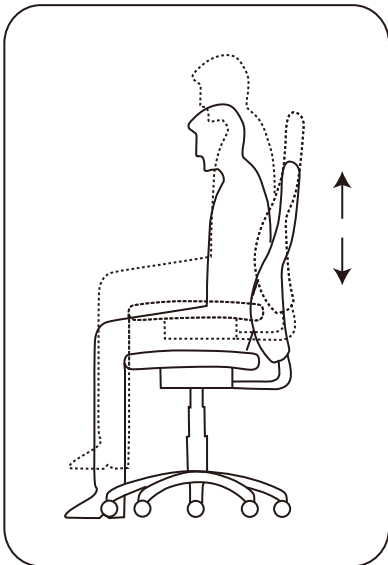


WARNING

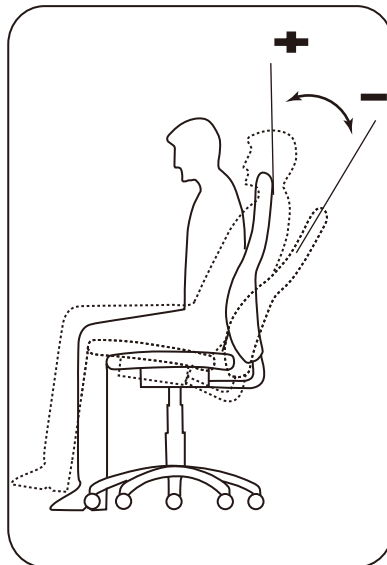
- DO NOT STAND ON THIS CHAIR.
- DO NOT USE THIS CHAIR AS A STEP LADDER.
- USE THIS PRODUCT FOR SEATING ONE PERSON AT A TIME ONLY.
- DO NOT USE THIS CHAIR UNLESS ALL BOLTS, SCREWS AND KNOBS ARE FIRMLY SECURED.
- AT LEAST EVERY 6 MONTHS, CHECK ALL BOLTS, SCREWS AND KNOBS TO BE SURE THEY ARE TIGHT.
- IF PARTS ARE MISSING, BROKEN, DAMAGED OR WORN, STOP USING THIS PRODUCT UNTIL REPAIRS ARE MADE USING FACTORY AUTHORISED PARTS.
- FAILURE TO FOLLOW THESE WARNINGS COULD RESULT IN SERIOUS INJURY.



1



2



3

