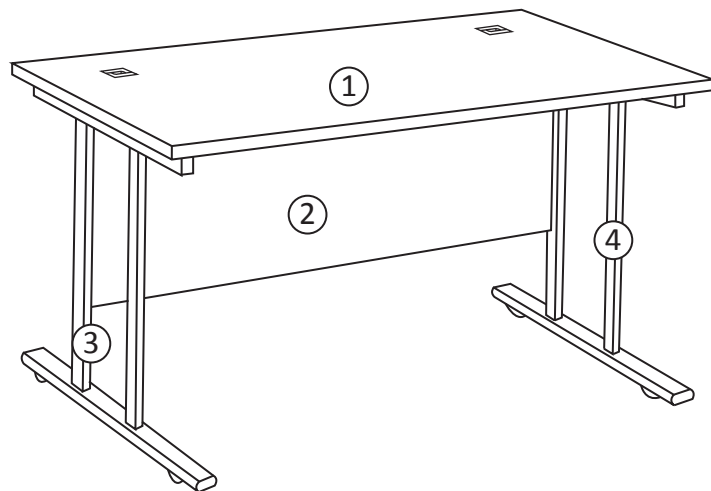
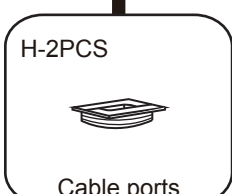
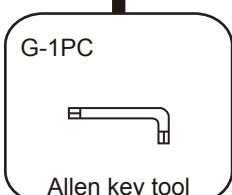
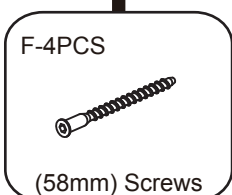
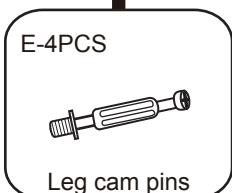
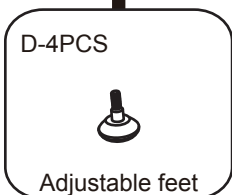
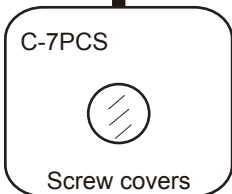
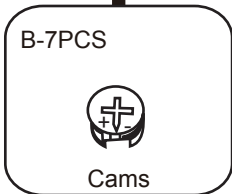
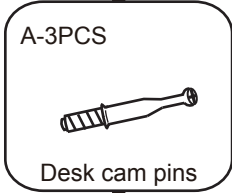
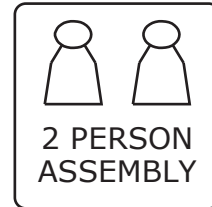


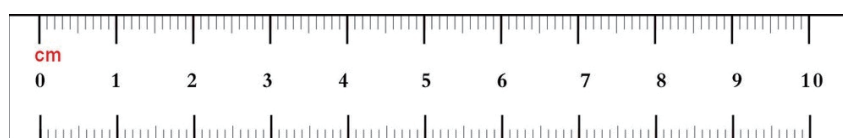
ASSEMBLY INSTRUCTIONS



B1-R2CLEG

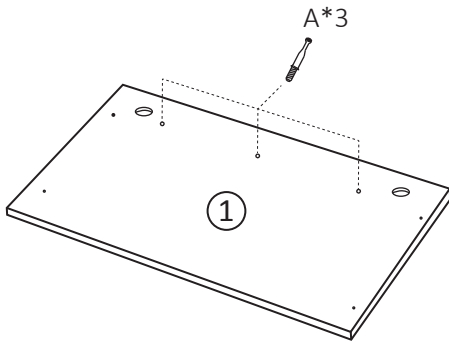
Boffin Rectangular Desks Double Upright Cantilever Leg

Additional tools required:
1 x Philips cross-head screwdriver.

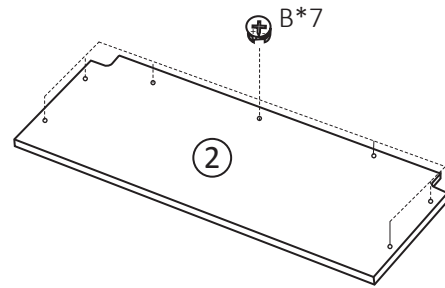


Only tighten the screws by hand with provided allen key. Before use please check if fixings are tightened fully.

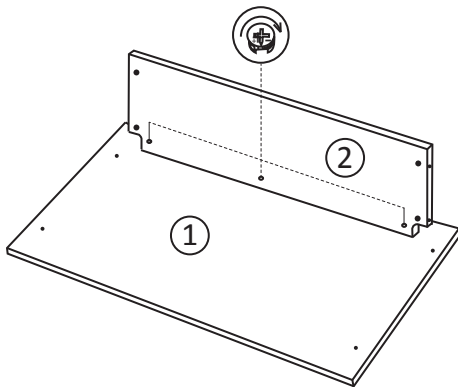
- 1** For 800mm, 1000mm and 1200mm versions, only 2 cam pins (A) required (2 instead of 3 cam pins across top).



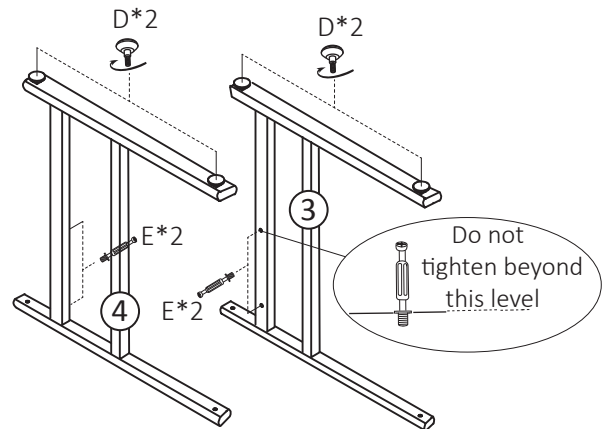
- 2** For 800mm, 1000mm and 1200mm versions, only 6 cam (B) required (2 instead of 3 cams across top)



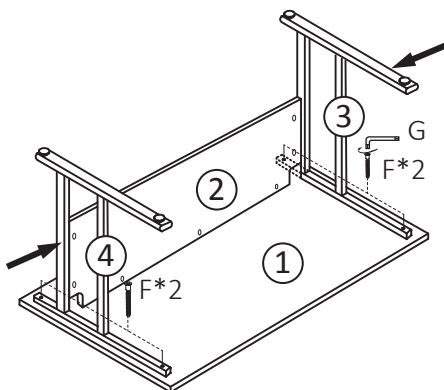
- 3** Tighten cams to lock into position.



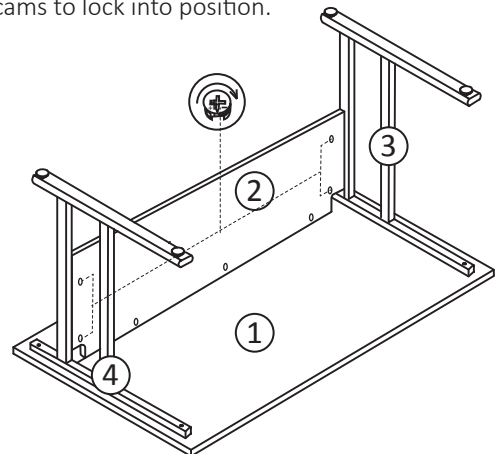
- 4**



- 5** Attach the leg to panel 1 and 2, then insert 2x screw F into desk panel 1 in each leg.

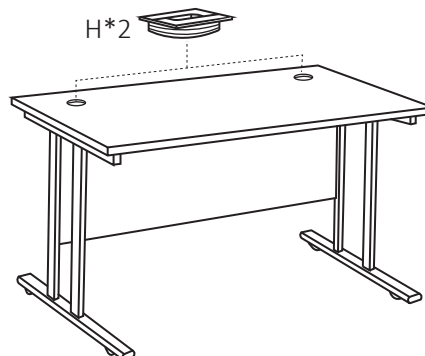


- 6** Tighten cams to lock into position.



- 7**

800mm version has one cable port in the middle.



Note: Please fit screw covers (C) onto visible/exposed cams (B) to complete assembly.