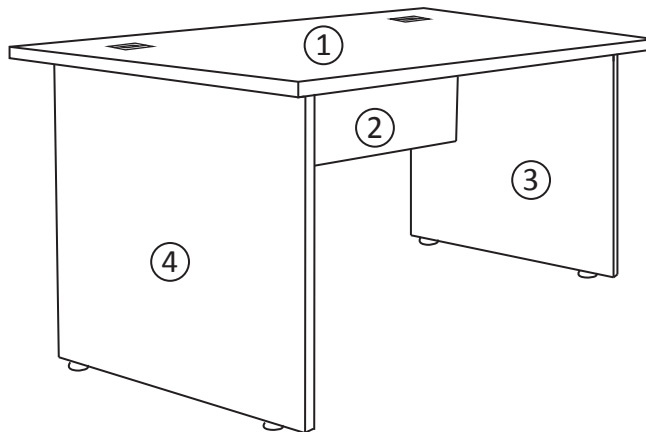
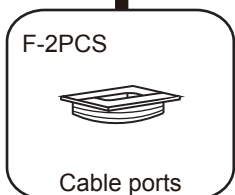
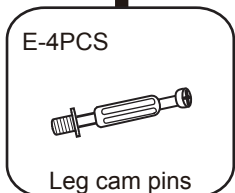
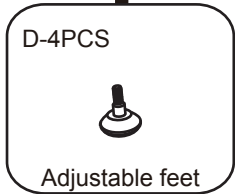
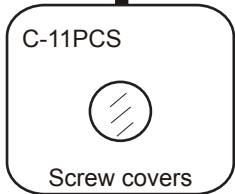
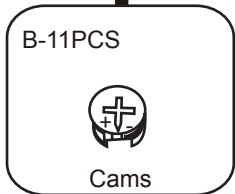
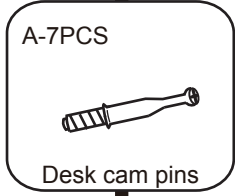
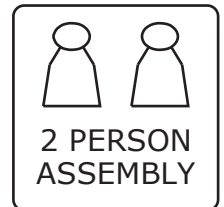


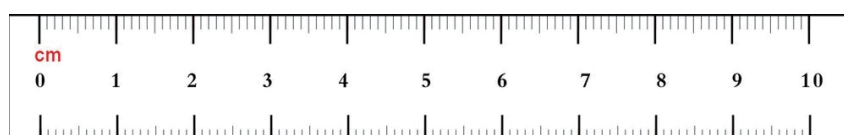
ASSEMBLY INSTRUCTIONS



B1-RPELEG

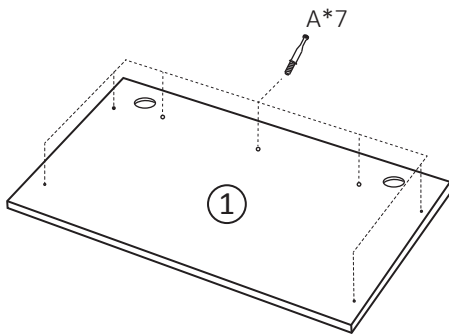
Boffin Rectangular Desks Panel End Leg

Additional tools required:
1 x Philips cross-head screwdriver.

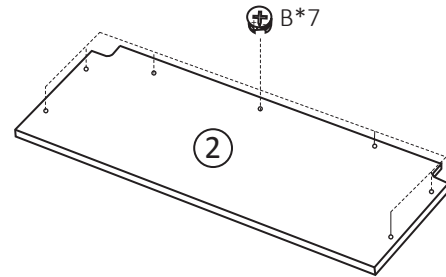
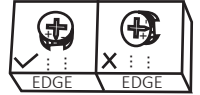


Only tighten the screws by hand with provided allen key. Before use please check if fixings are tightened fully.

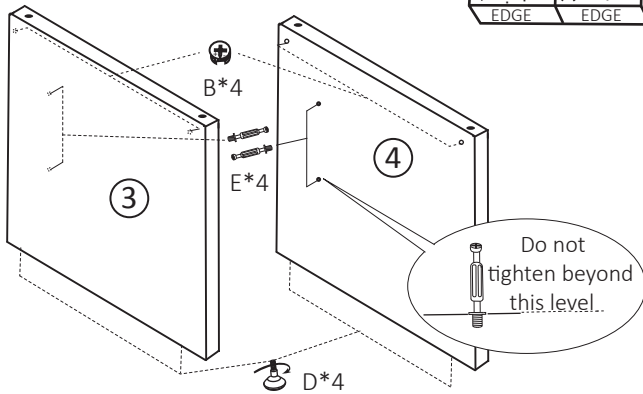
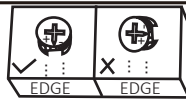
- 1** For 800mm, 1000mm and 1200mm versions, only 6 desk cam pins (A) are required (2 instead of 3 cam pins across top).



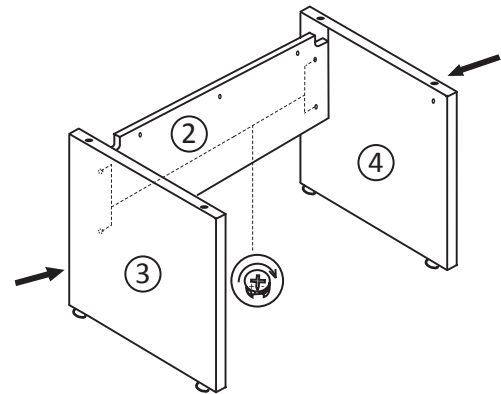
- 2** For 800mm, 1000mm and 1200mm versions, only 6 cam (B) required (2 instead of 3 cams across top)



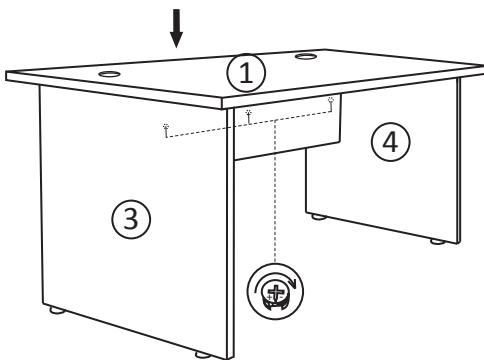
- 3**



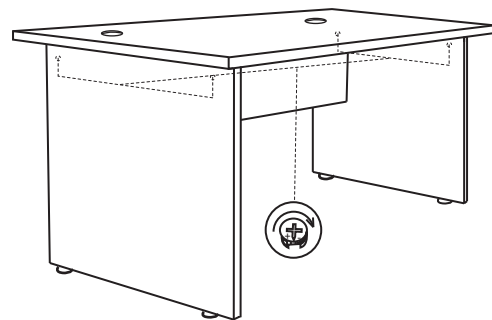
- 4** Attach panel 3 and panel 4 to panel 2, then tighten cams to lock into position.



- 5** Tighten cams to lock into position.



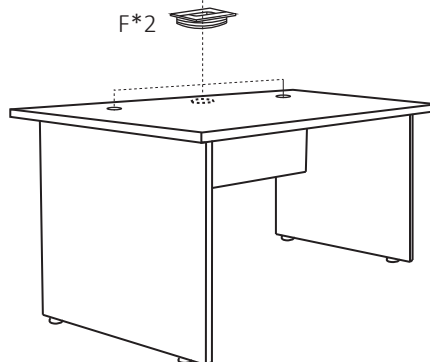
- 6** Tighten cams to lock into position.



- 7**

*800mm version has one cable port in the middle.

F*2



Note: Please fit screw covers (C) on to visible/exposed cams (B) to complete assembly.