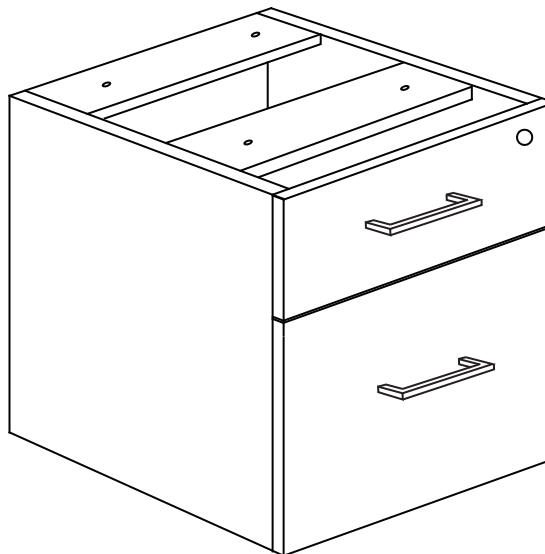
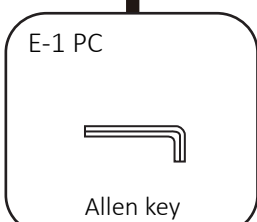
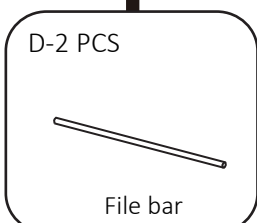
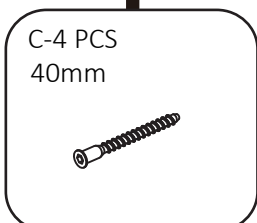
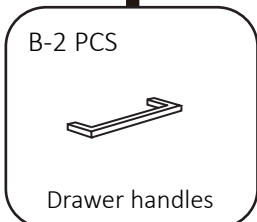
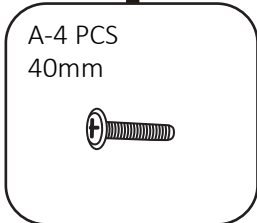


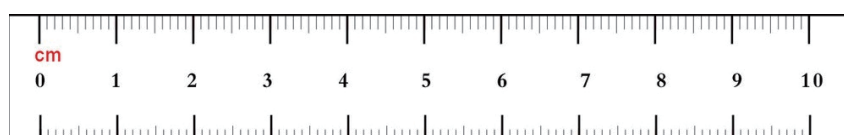
ASSEMBLY INSTRUCTIONS



B1-LMPED2

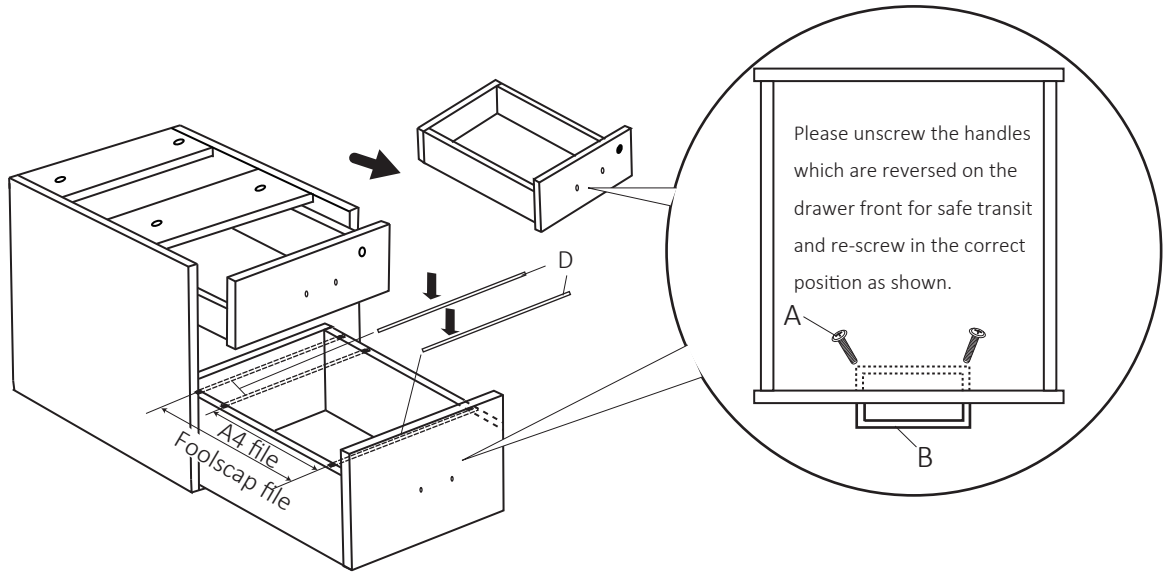
Boffin 2 Drawer Low Mobile Office Drawers

Additional tools required:
1 x Philips cross-head screwdriver.

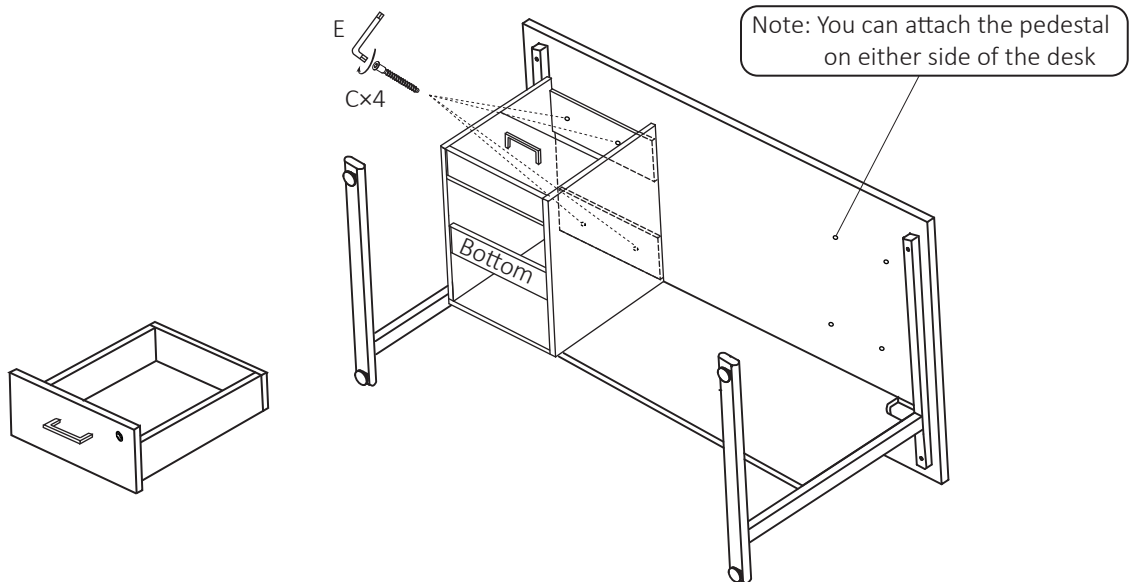


**Only tighten the screws by hand with provided allen key.
Before use please check if fixings are tightened fully.**

1 Remove the small drawer.



2



3

