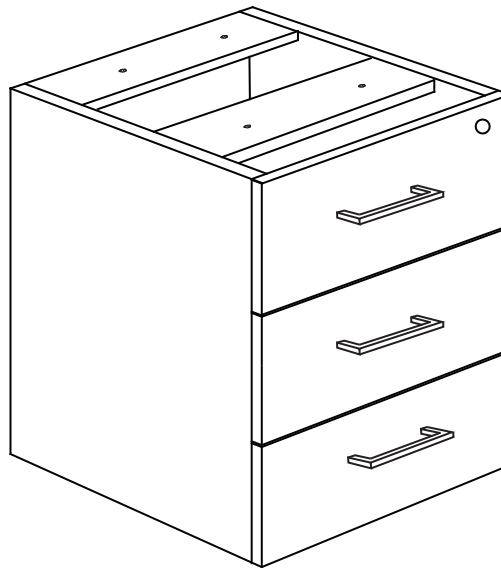
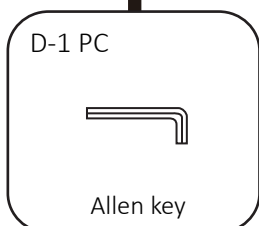
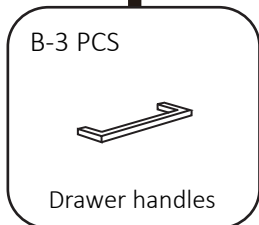
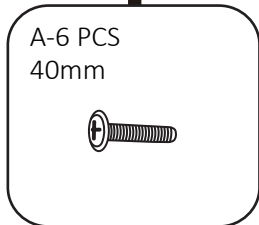
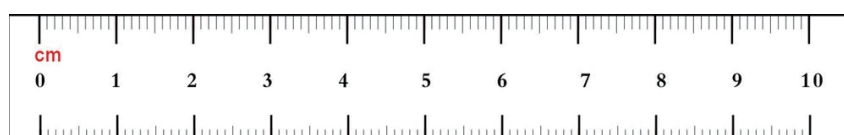


ASSEMBLY INSTRUCTIONS



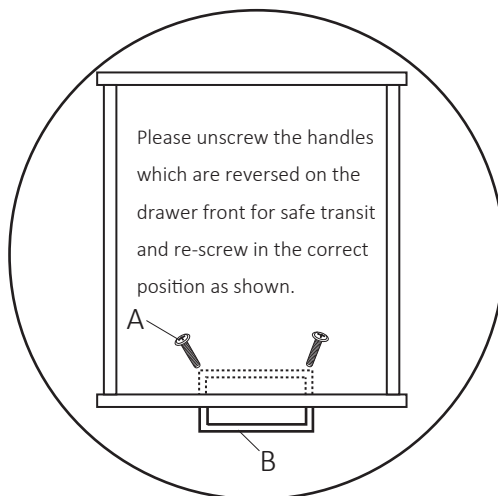
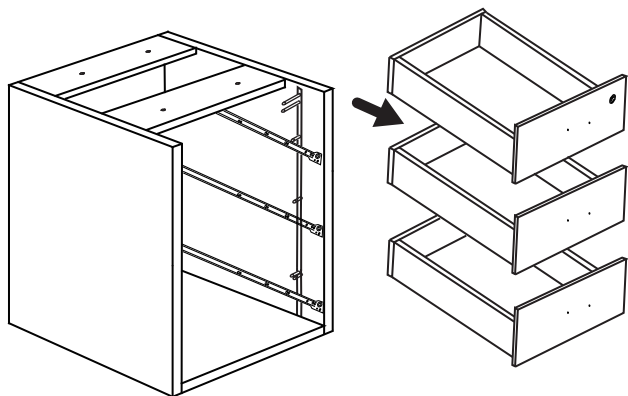
B1-LMPED3 Boffin 3 Drawer Low Mobile Office Drawers

Additional tools required:
1 x Philips cross-head screwdriver.

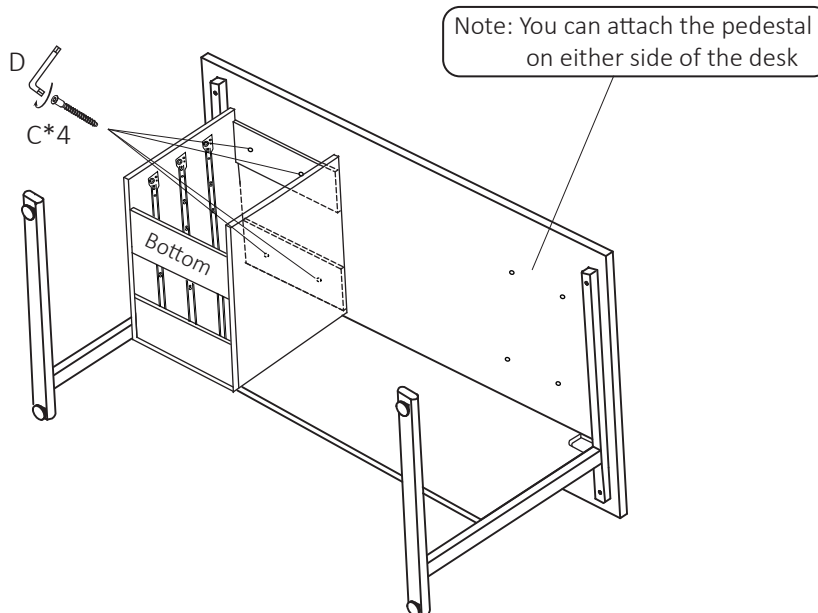


**Only tighten the screws by hand with provided allen key.
Before use please check if fixings are tightened fully.**

1 Remove all the drawers.



2



3

