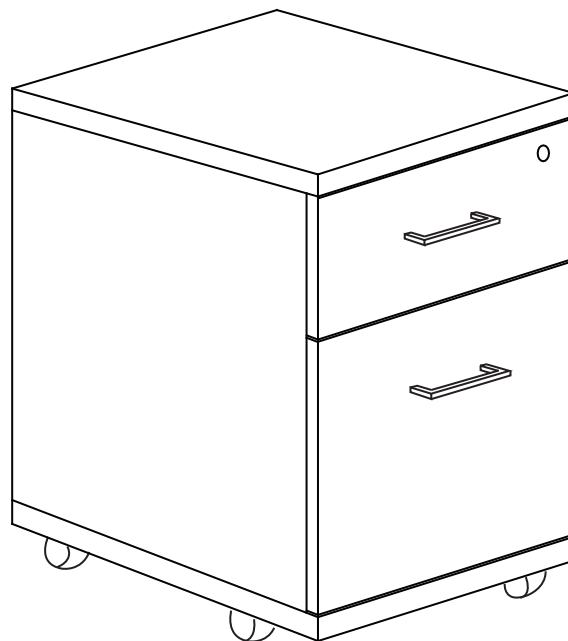
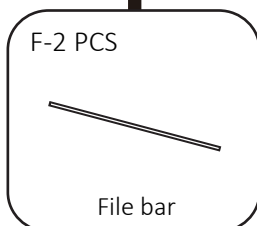
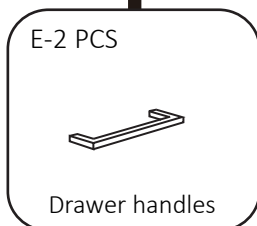
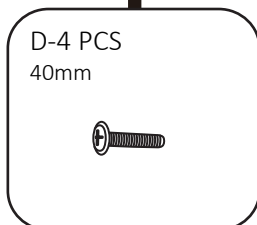
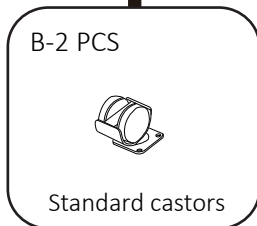
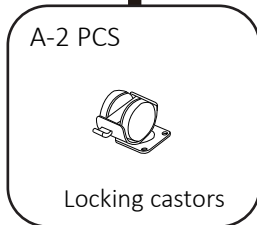


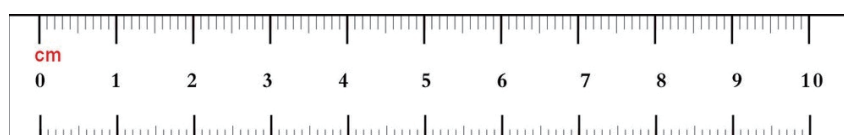
ASSEMBLY INSTRUCTIONS



B1-LMPED2

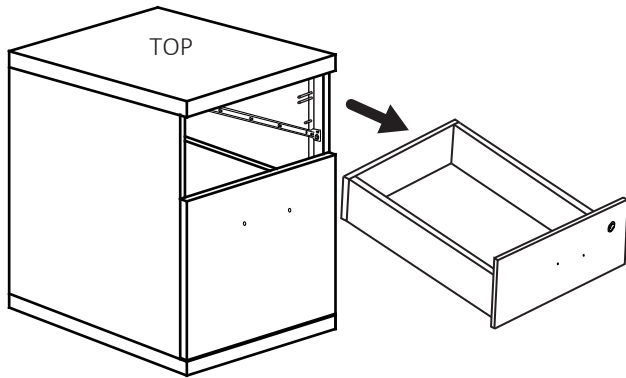
Boffin Low Mobile Office Drawers

Additional tools required:
1 x Philips cross-head screwdriver.

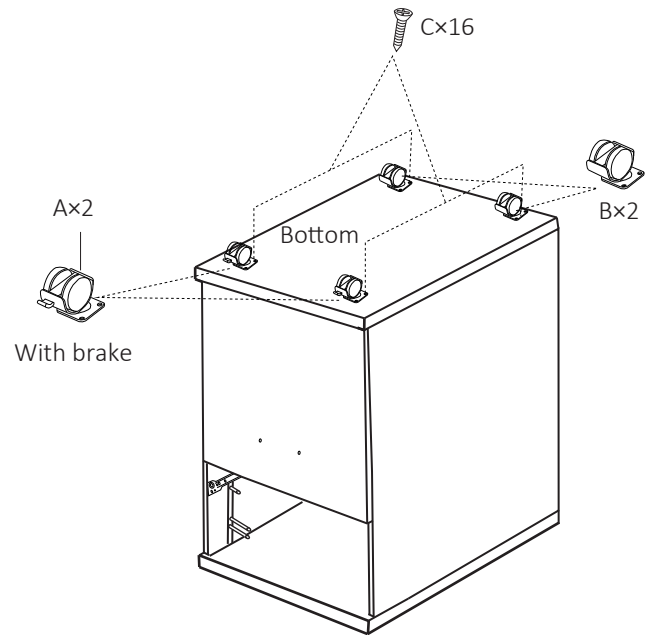


**Only tighten the screws by hand with provided allen key.
Before use please check if fixings are tightened fully.**

1 Remove the small drawer.

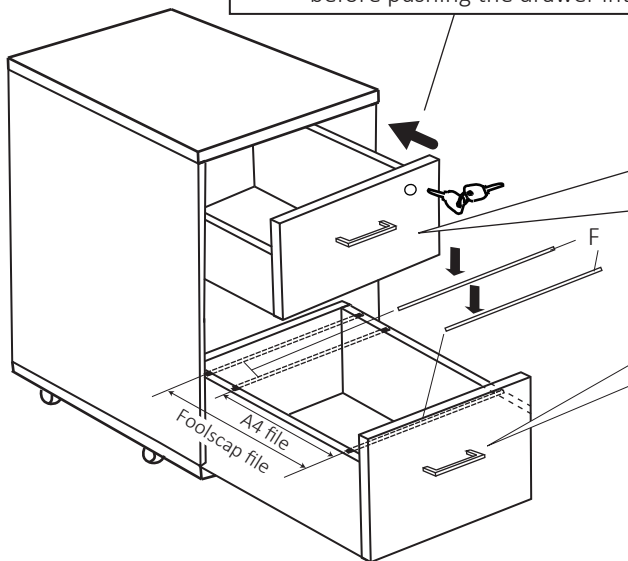


2 Turn the pedestal upside down.



3

Note: Turn the key fully to the right before pushing the drawer into position



Please unscrew the handles which are reversed on the drawer front for safe transit and re-screw in the correct position as shown.

