

# ASSEMBLY INSTRUCTIONS



A-2 PCS



Locking castors

B-2 PCS



Standard castors

C-16 PCS  
16mm



D-6 PCS  
40mm



E-3 PCS



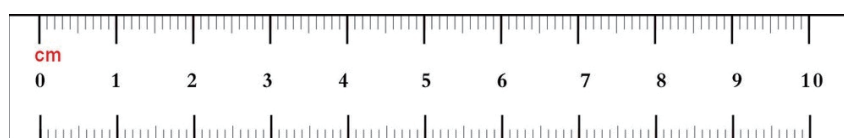
Drawer handles



## B1-LMPED3

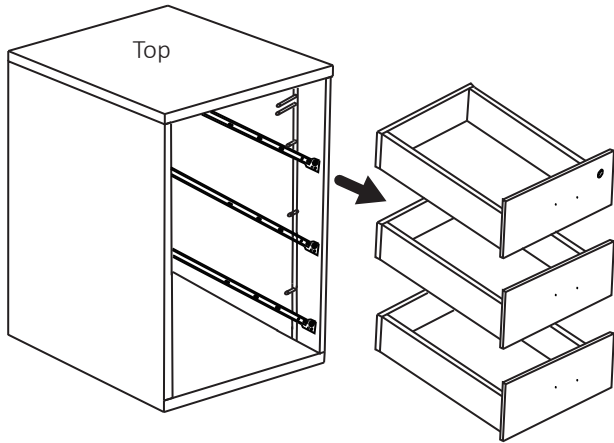
### Boffin Low Mobile Office Drawers

Additional tools required:  
1 x Philips cross-head screwdriver.

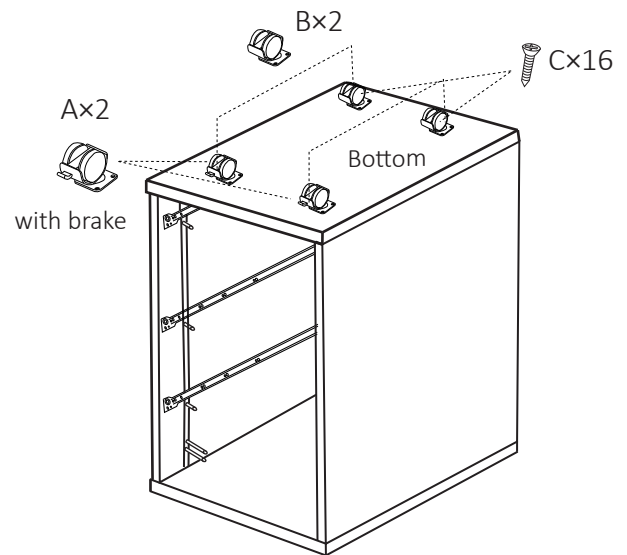


# Only tighten the screws by hand with provided allen key. Before use please check if fixings are tightened fully.

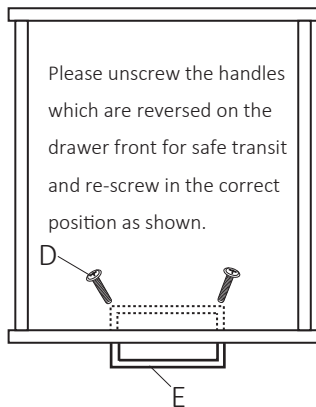
**1** Remove all drawers.



**2** Turn the pedestal upside down.



**3**



**4**

Note: Turn the key fully to the right before pushing the drawer into position

