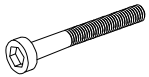


# ASSEMBLY INSTRUCTIONS

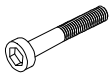


## Office Boffins

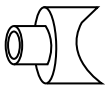
A-2 PCS  
40mm



B-6 PCS  
35mm



C-2 PCS



D-4 PCS



E-4 PCS



F-1 PC

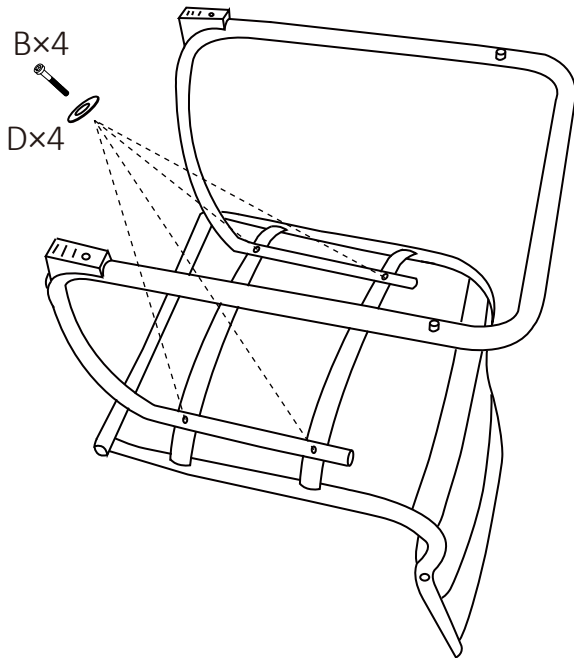


## PRODV001

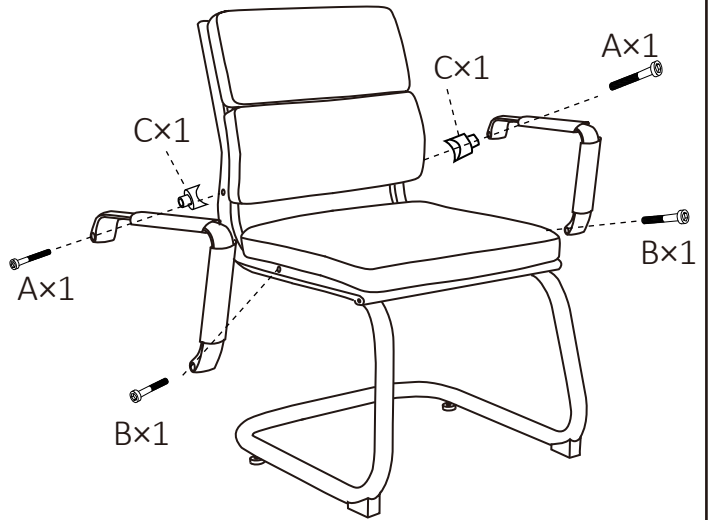


**Do not tighten bolts fully until you have completed assembly.  
DO NOT USE A POWER DRILL TO TIGHTEN THE SCREWS.  
TIGHTEN BY HAND WITH THE ALLEN KEY PROVIDED.**

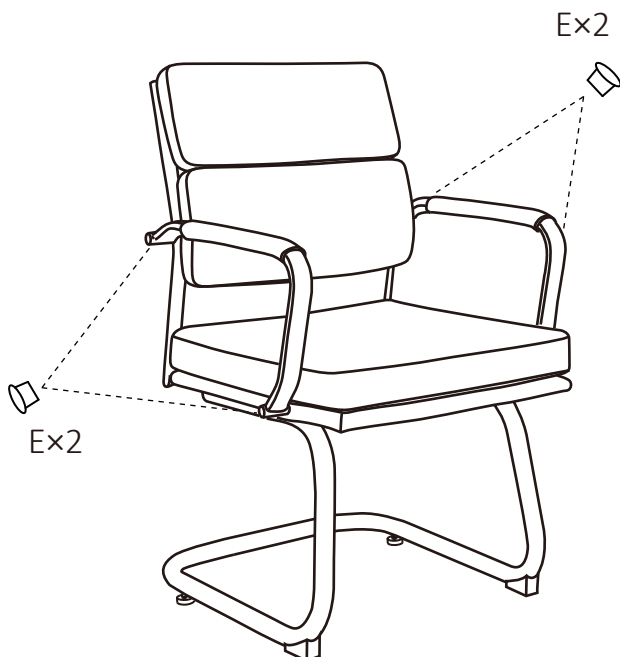
**1** Loosely insert bolts, once all 4 bolts in place, please tighten



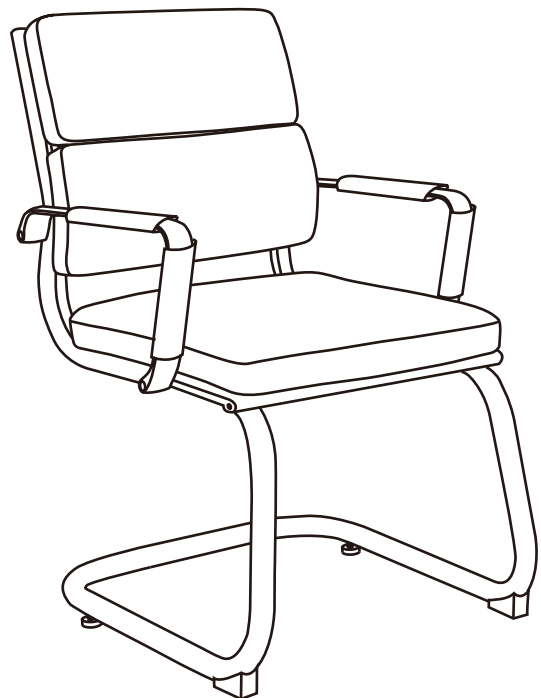
**2** Loosely insert bolts, once all 4 bolts in place, please tighten



**3**



**4**



**WARNING**

- DO NOT STAND ON THIS CHAIR.
- DO NOT USE THIS CHAIR AS A STEP LADDER.
- USE THIS PRODUCT FOR SEATING ONE PERSON AT A TIME ONLY.
- DO NOT USE THIS CHAIR UNLESS ALL BOLTS, SCREWS AND KNOBS ARE FIRMLY SECURED.
- AT LEAST EVERY 6 MONTHS, CHECK ALL BOLTS, SCREWS AND KNOBS TO BE SURE THEY ARE TIGHT.
- IF PARTS ARE MISSING, BROKEN, DAMAGED OR WORN, STOP USING THIS PRODUCT UNTIL REPAIRS ARE MADE USING FACTORY AUTHORISED PARTS.
- FAILURE TO FOLLOW THESE WARNINGS COULD RESULT IN SERIOUS INJURY.