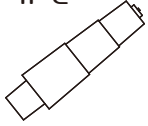


ASSEMBLY INSTRUCTIONS



Office Boffins

A-1PC



B-5PCS



C-1PC

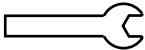


D-1PC



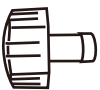
Transit nut

E-1PC

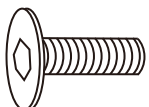


Spanner

F-1PC



G-6PCS
(45mm)



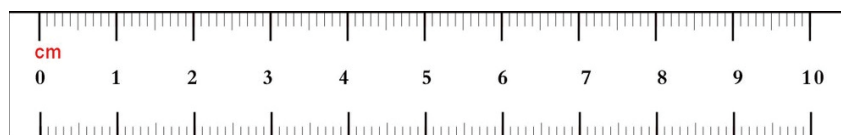
PRE-INSERTED



ULT4001

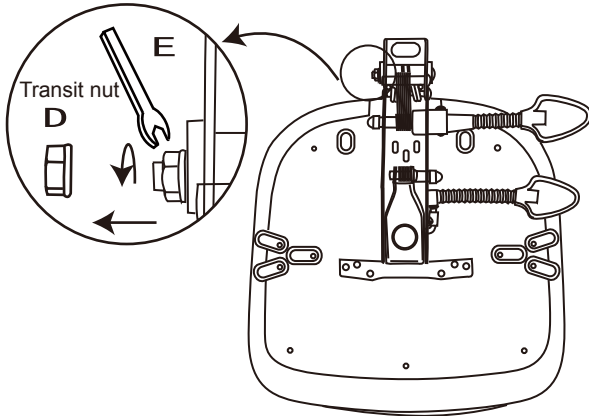
PLEASE NOTE:

The screws are pre-inserted into their correct holes to prevent them from being lost in transit. Please remove them before assembly using the allen key provided.

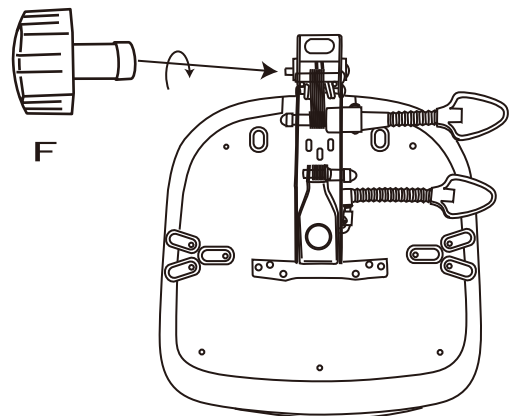


**Do not tighten bolts fully until you have completed assembly.
DO NOT USE A POWER DRILL TO TIGHTEN THE SCREWS.
TIGHTEN BY HAND WITH THE ALLEN KEY PROVIDED.**

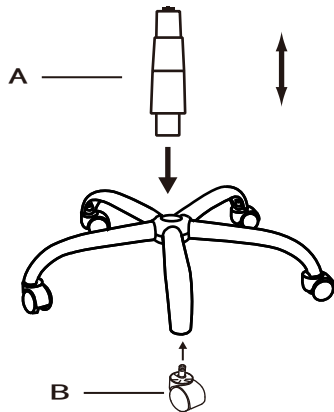
1 Remove the transit nut "D" using the spanner "E".



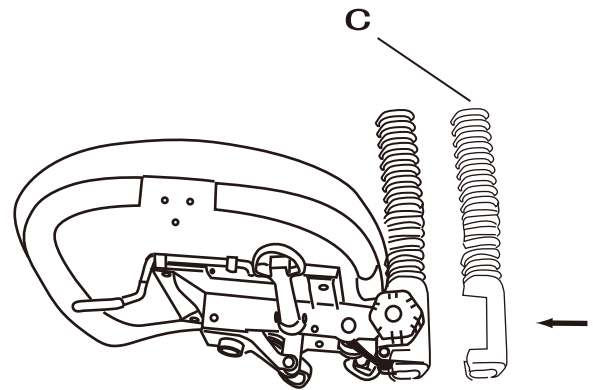
2 Attach the back adjustment handle "F".



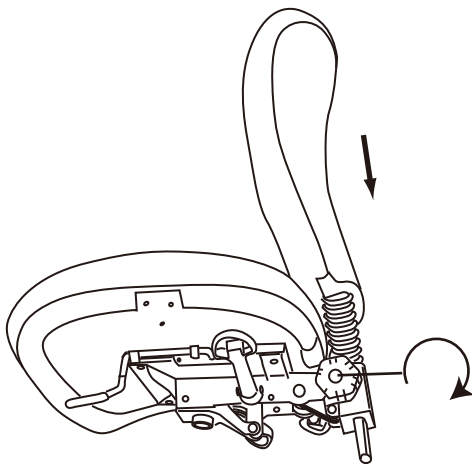
3



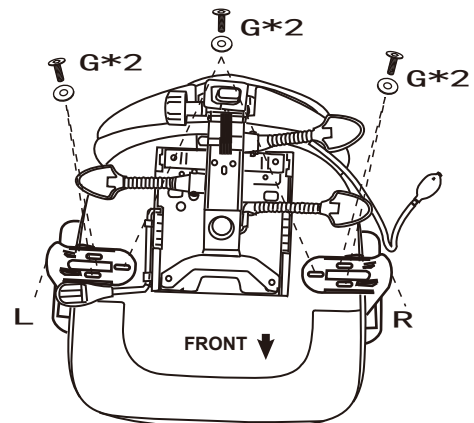
4



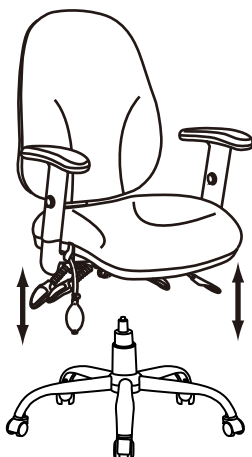
5



6



7



WARNING

- DO NOT STAND ON THIS CHAIR.
- DO NOT USE THIS CHAIR AS A STEP LADDER.
- USE THIS PRODUCT FOR SEATING ONE PERSON AT A TIME ONLY.
- DO NOT USE THIS CHAIR UNLESS ALL BOLTS, SCREWS AND KNOBS ARE FIRMLY SECURED.
- AT LEAST EVERY 6 MONTHS, CHECK ALL BOLTS, SCREWS AND KNOBS TO BE SURE THEY ARE TIGHT.
- IF PARTS ARE MISSING, BROKEN, DAMAGED OR WORN, STOP USING THIS PRODUCT UNTIL REPAIRS ARE MADE USING FACTORY AUTHORISED PARTS.
- FAILURE TO FOLLOW THESE WARNINGS COULD RESULT IN SERIOUS INJURY.